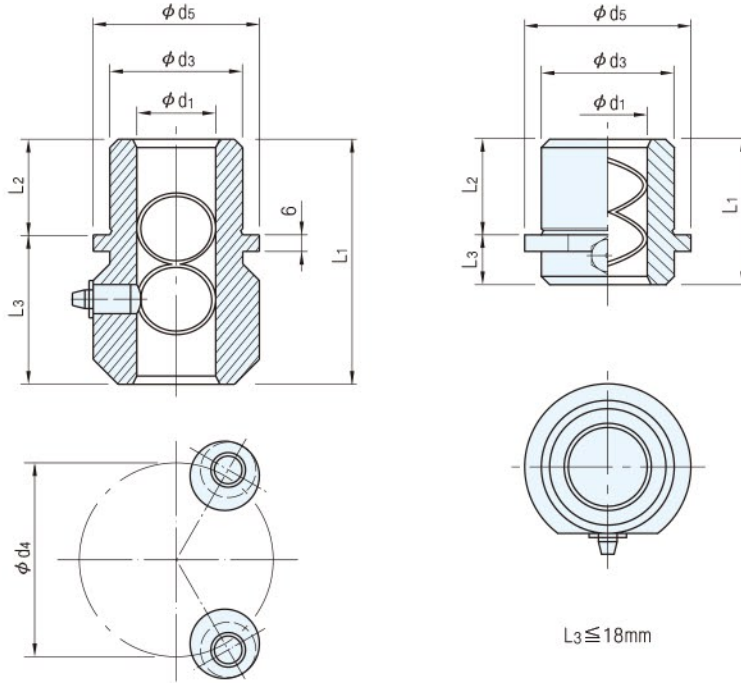




本體	硬度	內襯
鋼1.0503	HRC48~54	銅系合金



品號	d1	d3 js4	d4	d5	L1	L2	L3	單價
7161.019.035	19 ^{+0.010} / _{+0.004}	32 ±0.0035	56	40	35	23	12	•
7161.020.035	20 ^{+0.010} / _{+0.004}	32 ±0.0035	56	40	35	23	12	•
7161.024.035	24 ^{+0.010} / _{+0.004}	40 ±0.0035	64	48	35	23	12	•
7162.024.055					55	30	25	•
7161.025.035	25 ^{+0.010} / _{+0.004}	40 ±0.0035	64	48	35	23	12	•
7162.025.055					55	30	25	•
7161.030.042	30 ^{+0.010} / _{+0.004}	48 ±0.0035	72	56	42	30	12	•
7162.030.069					69	37	32	•
7161.032.042	32 ^{+0.010} / _{+0.004}	48 ±0.0035	72	56	42	30	12	•
7162.032.069					69	37	32	•
7164.032.065					65	47	18	•

品號	d1	d3 js4	d4	d5	L1	L2	L3	單價
7161.038.052	38 ^{+0.012} / _{+0.006}	58 ±0.004	82	66	52	37	15	•
7162.038.079					79	47	32	•
7161.038.082					82	37	45	•
7161.040.052	40 ^{+0.012} / _{+0.006}	58 ±0.004	82	66	52	37	15	•
7162.040.079					79	47	32	•
7161.040.082					82	37	45	•
7161.048.065	48 ^{+0.012} / _{+0.006}	70 ±0.004	96	80	65	47	18	•
7161.048.097					97	47	50	•
7161.050.065	50 ^{+0.012} / _{+0.006}	70 ±0.004	96	80	65	47	18	•
7161.050.097					97	47	50	•
7161.060.080	60 ^{+0.012} / _{+0.006}	85 ±0.004	111	95	80	60	20	•
7164.060.116					116	47	69	•
7161.063.080	63 ^{+0.012} / _{+0.006}	85 ±0.004	111	95	80	60	20	•
7161.063.150					150	60	90	•
7164.063.116					116	47	69	•

Wa. 注意

- 配合孔孔徑公差H5
- AGATHON產品是瑞士進口, 缺貨時交期較久, 請儘可能提前4週訂貨

訂貨: 品號 交期: 30 天

7161.019.035

Ps. 備註

- 導柱專用之有機鉛強力潤滑劑請參閱化學產品單元S-00668